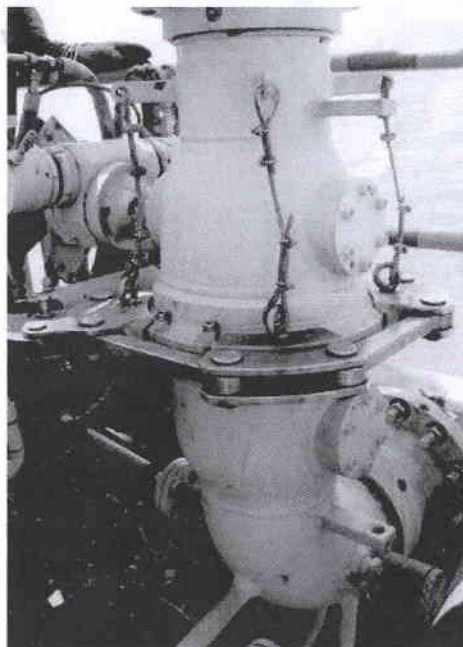
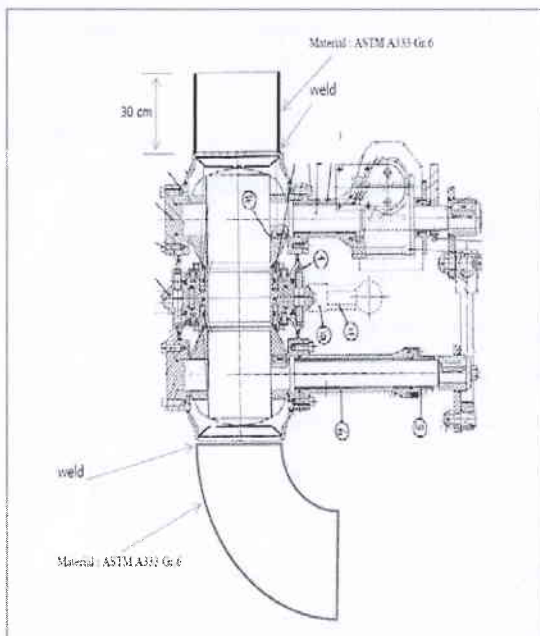


Technical Data



Typical Figure

DVB Technical Data & Material

Description	Material
Body	ASTM A333 Gr.6 (or MIB recommend)
Ball	ASTM A182 F316 (or MIB recommend)
Seal	Glass Looed PTFE (or MIB recommend)
Upper end Termination	Extend pipe sch 40 ,long 30 cm and weld end (see Typical Figure)
Lower end Termination	Extend elow 90 sch.40 and weld end (see Typical Figure)

ERS Technical Data

Item	Description
Hydraulic Pressure (Max / Min) Bar	Max 105 bar , Min 75 Bar
Close Valve (S)	5-20 sec. (adjustable flow regulator MLA)
Open Valve (S)	5-20 sec. (adjustable flow regulator MLA)
Disconnect ERC (sec)	< 10 sec. (after Valve Fully Close)

Item	Description
Painting	MIB Std. (RAL 7032)